



INFRARED CERAMIC HEATER

THERMEX BLACK SUN II

Safety Instructions and Operation Manual



Introduction

Your infrared heater is heating in the way of radiation (no need for medium) so your infrared heater is effective. At the same time, the heater has very good physiotherapy effect because it doesn't need to heat the ambient air. It is good to be used in the open-air as well.

Important Safety Instructions

When using electrical appliances, basic safety precautions should always be followed to reduce the risk of fire, electric shock, or injury to persons, etc.

Read through the operation and assembly instructions conscientiously before operating the appliance.

Be sure to keep the manual in a safe place for future reference. If you pass the appliance on, pass on the instructions too.

- Check if the voltage indicated on the nameplate of the appliance corresponds to the local mains voltage before you connect the appliance.
- The power supply to the appliance should correspond to the relevant regulations of the power supply companies and the regional construction regulations. Extension cords and multi-sockets may be used only if care is exercised in their use. The marked electrical rating of the extension cord or multi-socket should have adequate current carrying capacity and correspond to the relevant regulations of the power supply companies and the regional construction regulations. Check if the voltage indicated on the appliance corresponds to the marked electrical rating of the extension cord or multi-socket before you connect the appliance.
- The appliance is not located immediately below a wall socket-outlet.
- Never install this appliance close to anything combustible material, such as furniture, curtains, etc.
- In order to avoid overheating and fire hazard, do not cover or obstruct the appliance. Do not put any of the following materials on the appliance, such as clothes, blanket, pillow, paper etc.
- The appliance become extremely hot during operation. Pay attention that, no combustible material due to Wind or other environmental influences covers or obstructs the appliance, such as curtains, marquees, flags, plastic foil etc. Do not touch the appliance. Caution! Risk of scald injury!
- Do not let the cord hang over edge of table or counter, or touch hot surfaces.
- If the supply cord is damaged, it must be replaced by the manufacturer or its service agent or a similarly qualified person in order to avoid a hazard.
- In case of improper use, there is a risk of electrical shock and/or fire hazard. Operation of the appliance must be discontinued and remove the mains plug immediately. Do not try to repair the appliance by your-self. Please contact with the service agent or a suitably qualified electrician for maintenance.
- Remove the plug from the power outlet and wait until the appliance is sufficiently cooled off before cleaning.
- This appliance is not intended for use by persons (including children) with reduced physical, sensory or mental capabilities, or lack of experience and knowledge, unless they have been given supervision or instruction concerning use of the appliance by a person responsible for their safety.
- Keep out of reach of children. In order to keep children from the dangers of electrical appliances, never leave them unsupervised with the machine. Consequently, when selecting

the location for your machine, do so in such a way that children do not have access to the machine. Children being supervised not to play with the appliance.

- The appliance must only be mounted by an authorized specialist, paying attention to the relevant regulations of the power supply companies and the regional construction regulations.
- Do not use this heater with a programmer, timer, separate remote-control system or any other device that switches the heater on automatically, since a fire risk exists if the heater is covered or positioned incorrectly.
- – the fireguard of this heater is intended to prevent direct access to heating elements and must be in place when the heater is in use.

Installation

For additional protection the installation of a residual current device (RCD) is advisable.

- Remove all package material (including anti-vibration object of the lamp) and check the appliance, supply cord and the plug for signs of damage.
- Pay attention to the mounting place and all mounting material(dowels, screws). Ensure they are suitable and stable enough for mounting and lastingly holding of the appliance.
- Before mounting, the minimum safe mounting distances and tilt angles shown in the figures must be strictly followed.
 1. The distance between the bottom edge of the appliance and the floor must be at least 1,8 m.
 2. There must be a distance of at least 0,2 m between the appliance and the ceilings, roofs or other covers.
 3. There must be a distance of at least 0,5 m at each side between the appliance and walls or the like. See figure 2.
 4. Remember that degree to mounting surface is 45°.
- Pay attention that, the installation of the appliance must not add excessive wind load.
- Fix the mounting bracket on the wall first. Ensure that the place to be installed is secure and firm. Or connect the appliance to the stand.
- Adjust the desired angle of radiation and fest screw all screws. Check regularly the screws' connection. Mechanical bearing pressure and oscillation due to wind or rain could lead to loose.
- Plug in the power source. Then observe, whether during the first 10-15 minutes the appliance works trouble-free.

Figure1: Mounting bracket and anchor dowels provided. Connection from the wall to the infrared heater.

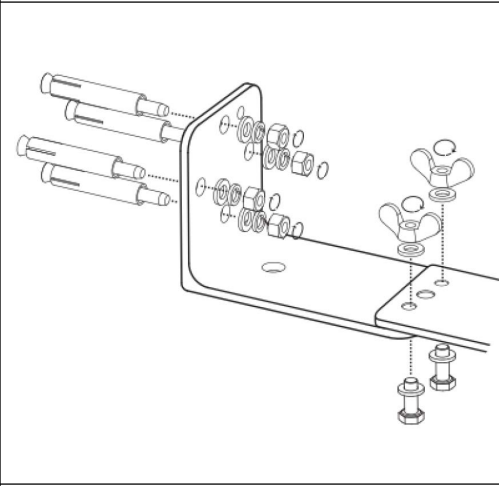


Figure2: Min. distance to floor, ceiling and wall.

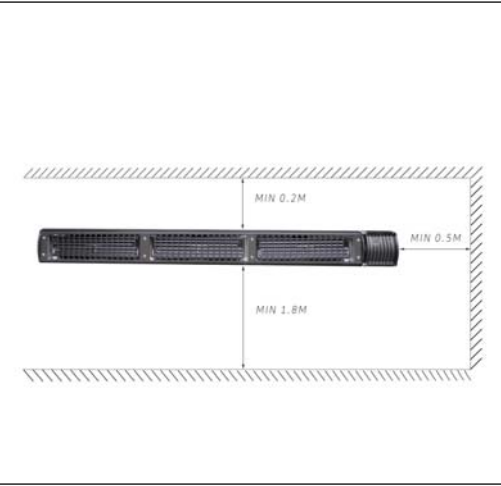


Figure3: Tilt angle.

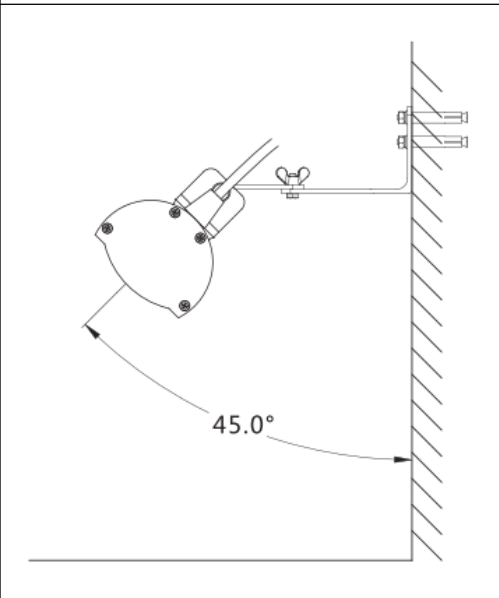
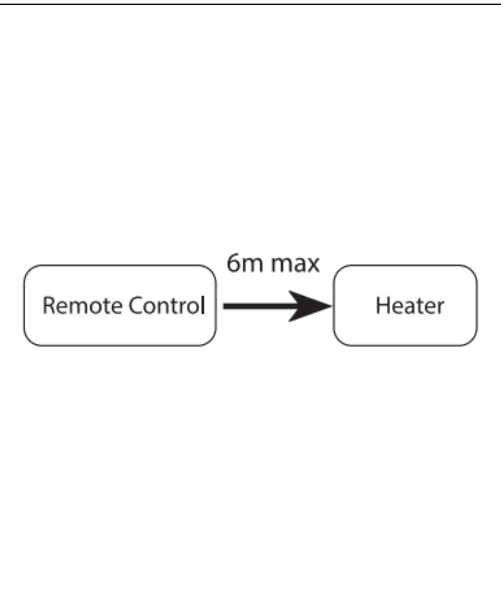
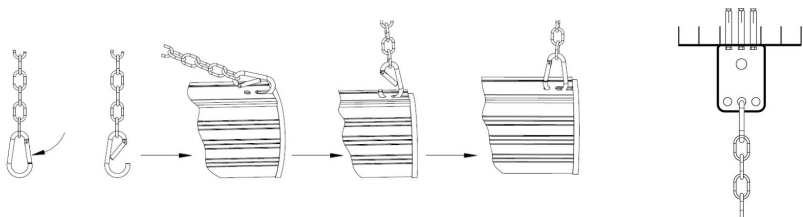


Figure 4: Max.remote distance



Installation Roof


Black Sun II are equipped with the ability to hang with chains from the ceiling. See drawing below for a description of how you attach the hook to the back of the product.



Specifications

Specification	Thermex Black Sun II
Voltage (V)	220-240 V
Power consumption (W)	2000 W
Dimensions WxHxD (cm)	94x10x8,3

Remote Control Instructions

	Button	Function	Feature
	On	On	1. Turn on the heater; 2. Receiver light in heater will turn Red with 100 % power output..
	Off	Off	1. Turn off the heater; 2. The receiver light will be flash in Red color if the heater connects to the power supply. There will be no indication after cutting off the electricity.


Notice:

- Use 2 pieces AAA 1,5V batteries in the remote control. Remove the battery when not use for long time, thus the lifespan of remote control can be extended.
- Choose the same specification battery when replacing the battery inside, otherwise it may cause remote control not work, thereby affect the normal use of the heater.
- Please contact service agent for further help if you need the function.
- The remote control function may be out of work if there is a barrier between the remote control and heater .

Cleaning and Maintenance

- Before cleaning, remove the plug from the power outlet and wait until the appliance is sufficiently cooled off.
- Wipe the appliance only with clean and lint-free cloth or a soft brush.
- Never use abrasive cleaners, scrubbing brushes and chemical cleaners for cleaning!
- The alcohol can be used to clean the appliance. When cleaning the reflector, please contact with the service agent or a suitably qualified electrician if the reflector needs to be removed
- To protect against electrical shock and danger of life, do not immerse cord, plug, or any part of the appliance in water or other liquid.
- For heating element replacement, please contact the manufacturer or its service agent or a similarly qualified person.

Disposal

Correct Disposal of this product	
	This marking indicates that this product should not be disposed with other household wastes throughout the EU. To prevent possible harm to the environment or human health from uncontrolled waste disposal, recycle it responsibly to promote the sustainable reuse of material resources. To return your used device, please use the return and collection systems or contact the retailer where the product was purchased. They can take this product for environmental safe recycling.

Customer Service

Repairs must be carried out by authorize specialists, thus ensuring electrical safety. Please contact with the service agent or a suitably qualified electrician.

Improper repairs could lead to danger to the user.

This warranty does not cover damage of failure which results from alteration, accident, misuse, abuse, neglect, commercial use or improper maintenance.

In line with our policy of continuous product development we reserve the right to change the product and documentation specifications without notice.